
SIAM & MAA

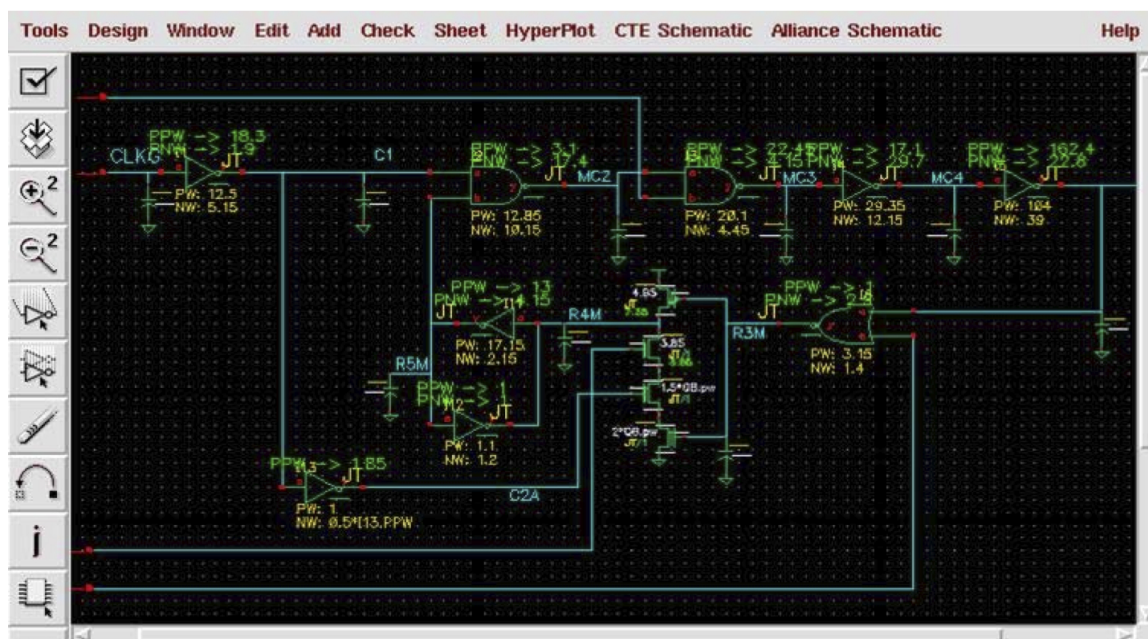
Second Mid-Atlantic Regional Applied Math STUDENT CONFERENCE

Shippensburg University

April 16, 2011

Student Paper Session ♦ Panel Discussion

Keynote Speaker: Dr. Andrew Conn, IBM T.J. Watson Research Center.



More information available at:

http://www.ship.edu/math/students/SIAM_Conference/

This program is an MAA NSF-RUMC sponsored activity, partially funded by NSF Grant DMS-0846477 and partially funded by SIAM.
